

Power Wire Wound Chip Resistors / Power Metal Film Chip Resistors

- Flameproof UL94V0 molded package, resistant to heat, humidity & insulation
- Special design for automatic surface mounting
- Excellent mechanical strength & electrical stability
- Reduced assembly costs
- Consumer electronics, computers, telecommunications, control instruments etc.



GENERAL SPECIFICATIONS AND DIMENSIONS [mm]

Model	Resistance Range[Ω]						Resistance Range	Max. Working Voltage	Tolerance [%]
	A±0.3	B±0.3	C±0.3	D±0.3	E max.	F±0.3			
SMW 2W	4	6.7	1.4	3.55	7.9	1.5	0.1Ω~200Ω	E=√PR	J[±5%] F[±1%]
SMW 3W	5.5	10.5	1.7	5	12	2.3	0.1Ω~300Ω		
SMW 5W	7.3	13.5	1.7	6.8	17	2.5	0.1Ω~500Ω		
SMF 2W	4	6.7	1.4	3.55	7.9	1.5	10Ω~2MΩ	300V	
SMF 3W	4.4	10.5	1.7	5	12	2.3	10Ω~2MΩ	500V	
SMF 5W	7.3	13.5	1.7	6.8	17	2.5	10Ω~2MΩ	500V	



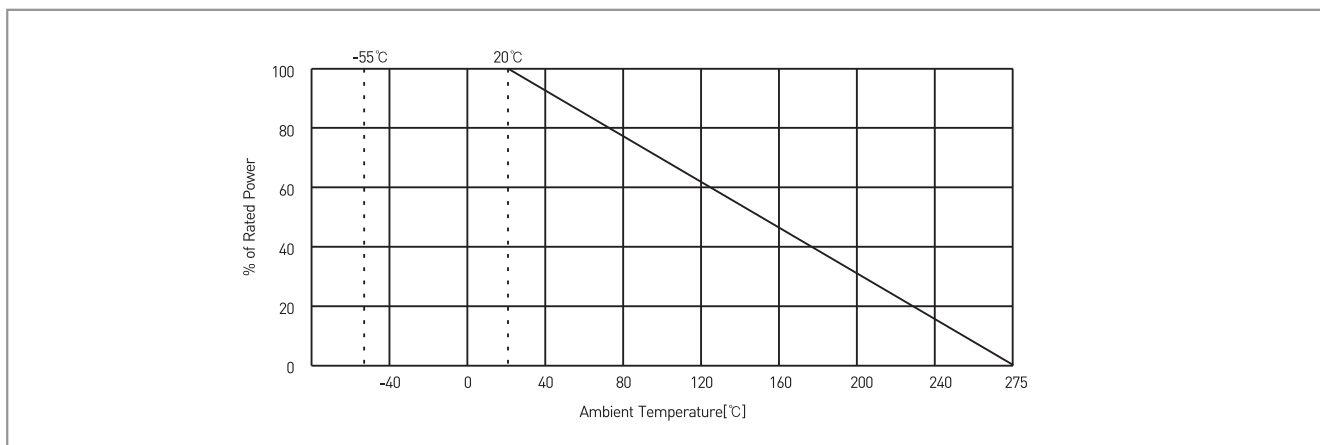
*Please enquire if you require a non-standard ohmic value.

CHARACTERISTICS

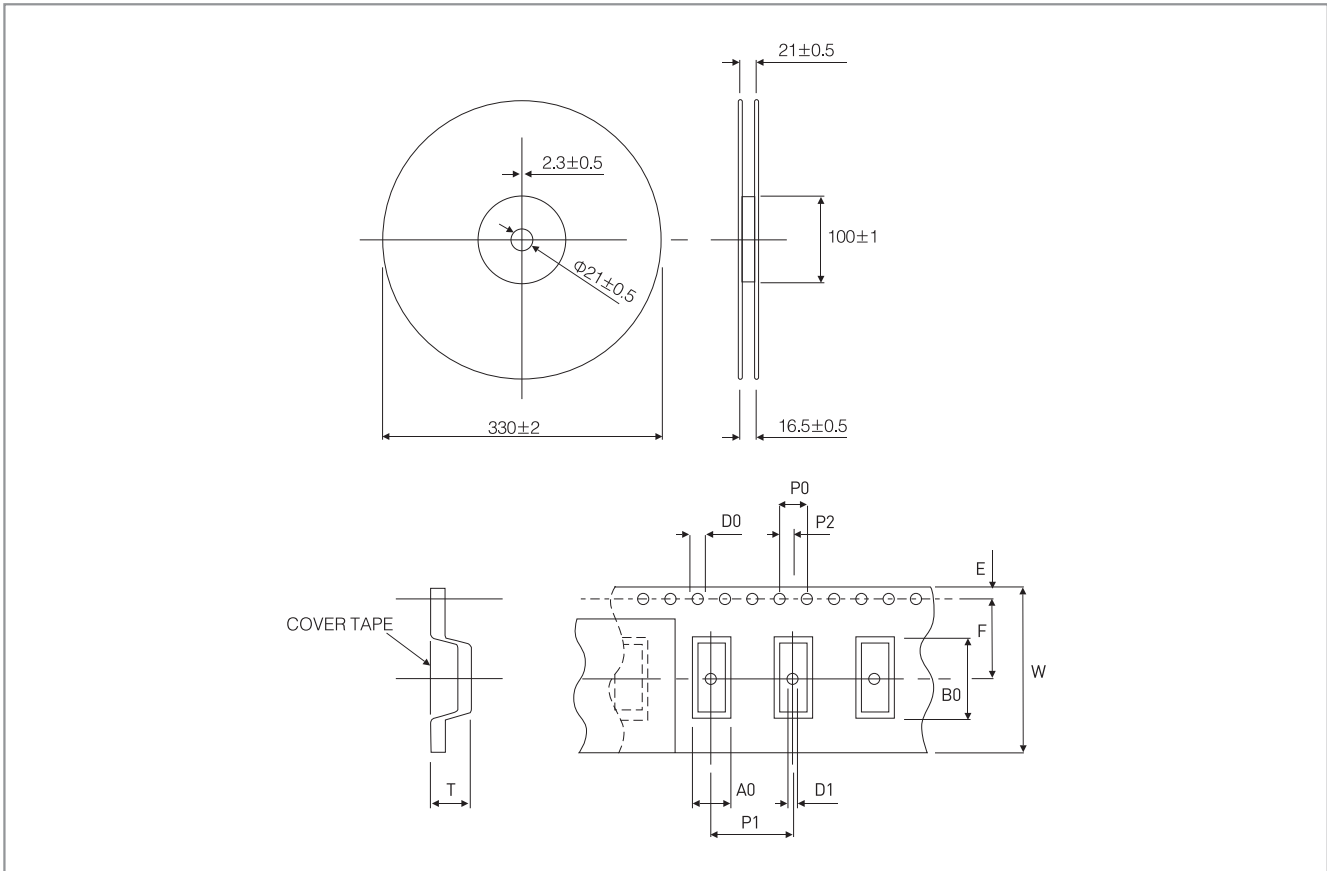
Values in [] mean change in Ω after test

Temperature Range			-55℃~+200℃
Temperature Coefficient	SMW	SMF	±200ppm/℃
Short Time Overload	±0.5%	±0.5%	5 x Power rating 5 seconds
Dielectric Withstanding Voltage			AC 500V for 1 minute
Insulation Resistance	DC 500V	DC 500V	10,000MΩ
Load Life	±2%	±1%	Power rating 1.5hours on, 30 minutes off, 1000hours
Moisture Load Life	±2%	±1%	40℃, 95% RH, 0.1 x Power rating, 1.5 hours on, 30 minutes off, 500hours

DERATING CURVE



TAPE & REEL



Rated Power	B0±0.2	A0±0.2	P1±0.1	P2±0.1	P0±0.1	D0±0.1	E±0.1	F±0.1	W±0.3	D1±0.1	T±0.1	pcs/reel
2W	8	4.3	8	2	4	1.5	1.75	7.5	16	1.5	4.15	2000
3W	11.8	5.8	12	2	4	1.5	1.75	11.5	24	1.5	5.8	1000
5W	17.5	7.8	16	2	4	1.5	1.75	14.2	32	1.5	7.5	500

ORDERING PROCEDURE EXAMPLE

Ordering Example	Model	Resistance	Tolerance
SMW 2W 2000F	SMW 2W	200Ω	F[1%]
SMW 3W 3000J	SMW 3W	300Ω	J[5%]
SMW 5W 5000F	SMW 5W	500Ω	F[1%]
SMF 2W 1000F	SMF 2W	100Ω	F[1%]
SMF 3W 1001J	SMF 3W	1KΩ	J[5%]
SMF 5W 1004F	SMF 5W	1MΩ	F[1%]