

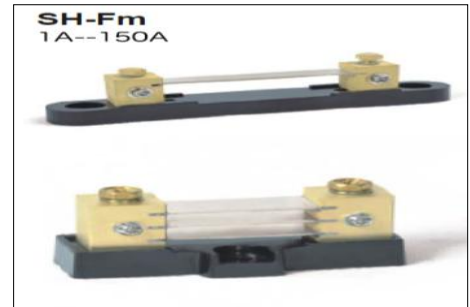
SH-Fm Shunt Resistors

Overview:

Interchangeable shunts are used to multiply the measuring range of current for measuring instruments.

Applications:

Telecommunications equipment, Electric cars, Aerospace, Charging stations, Electroplating Power Equipment, Instruments and meters, Dc power systems, etc.



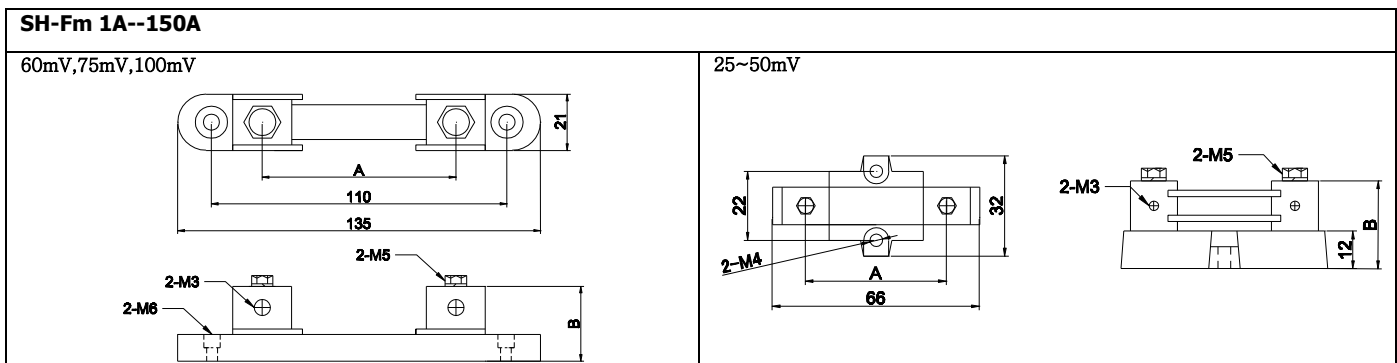
GENERAL SPECIFICATIONS

Model	Rated Current[A]	Rated Voltage[mV]	Resistance Range[mΩ]
SH-Fm	1~50	10~800	10~16
1A~150A	51~2500	10~300	0.2~0.12

CHARACTERISTICS

Ambient condition	-25℃~40℃
Relative humidity	≤80%(35℃)

DIMENSIONS



Model	Dimensions(mm)							
	25~50mV		60mV		75mV		100mV	
	A	B	A	B	A	B	A	B
1A-80A	X	X	63	28	78	28	78	28
100A-125A				30		30		
150A				33		33		
1A-125A	45	28	X					
150A		30						

ORDERING PROCEDURE EXAMPLE

