

THICK-FILM PLANAR ULTRA HIGH POWER RESISTOR

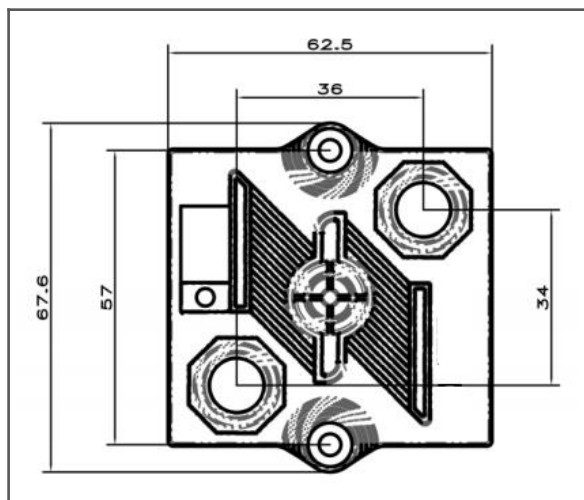
The HPR2000 delivers 2000 watts of power dissipation when appropriately heatsinked. The design ensures a consistent pressure of approximately 300N on the cooling plate for effective thermal flow. The HPR2000 is well-suited for variable speed drives, power supplies, control devices, robotics, motor control, and various power designs. Features include a non-inductive planar package, high power density, a thin form factor for PCB installation, power dissipation above the board, and compliance with RoHS and REACH standards. Common applications involve variable speed drives, power supplies, control devices, motor control, and robotics.



GENERAL SPECIFICATIONS AND CHARACTERISTICS

	HPR-2000
Resistance range	1Ω - 100kΩ
Resistance tolerance	F [±1%] / J [±5%] / K [±10%]
Rated power Pn	2,000W
Impulse overload	3,000W @10seconds
Dielectric strength	> 5kV
Temperature coefficient of resistance	0±100ppm/°C
Working temperature range	-55°C - +170°C
Inductance	80nH
Capacity	110pF
Thermal resistance	0.12°C/W
Internal temperature sensor (optional)	PT100/1,000, AD22105, (other on request)

DEMENSIONS [mm]



ODERING PROCEDURE EXAMPLE

Model#	Resistance	Tolerance	Internal temperature sensor
HPR-2K	1Ω-100kΩ xRx < 10Ω < xxR < 1kΩ < xKx < 10kΩ xxK	K=±10%(standard) J=±5% F=±1%	Without(standard) PTA-PT100 PTB-PT1000 AD-AD22105