

## GBR-390 Series

### Characteristic

GBR-390 series high-voltage resistive dividers are made in a thick film technology on ceramic substrates ( $\text{Al}_2\text{O}_3$  - 96%) with leads for through-hole mounting. Dividers are characterized by very high maximum voltage, and standard voltage division. Other values of resistance, and tolerance (up to 0,1%) are available on request.

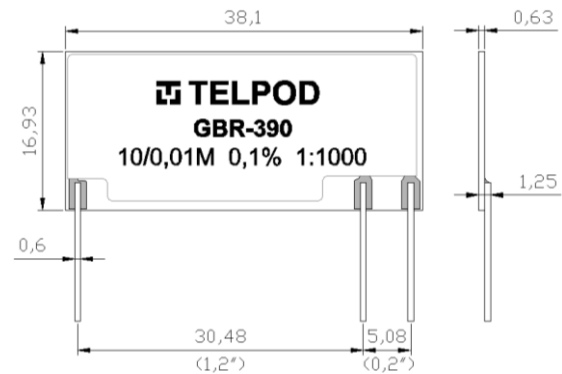
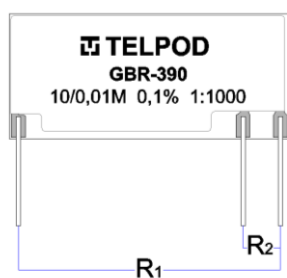


Fig. 1. Preview with dimensions [mm]

Parameter	Value
Resistance	$R_1$ 1 - 40 M $\Omega$
	$R_2$ $R_1 / 1000$ or $R_1 / 100$
Tolerance	$\pm 0,1\%$ ... $\pm 5\%$
Rated power	4 W
Max. operating voltage	14 kV
Voltage limit (5s)	40 kV
Temperature coefficient of temperature (TWR)	$\pm 40$ ppm/ $^{\circ}\text{C}$
Operating temperature	-25 ... +70 $^{\circ}\text{C}$

### Typical values



Resistance $R_1$	Resistance $R_2$	Ratio $R_2 : R_1$
10 M $\Omega$	0,01 M $\Omega$	1:1000
1 M $\Omega$	0,01 M $\Omega$	1:100

### Product marking

