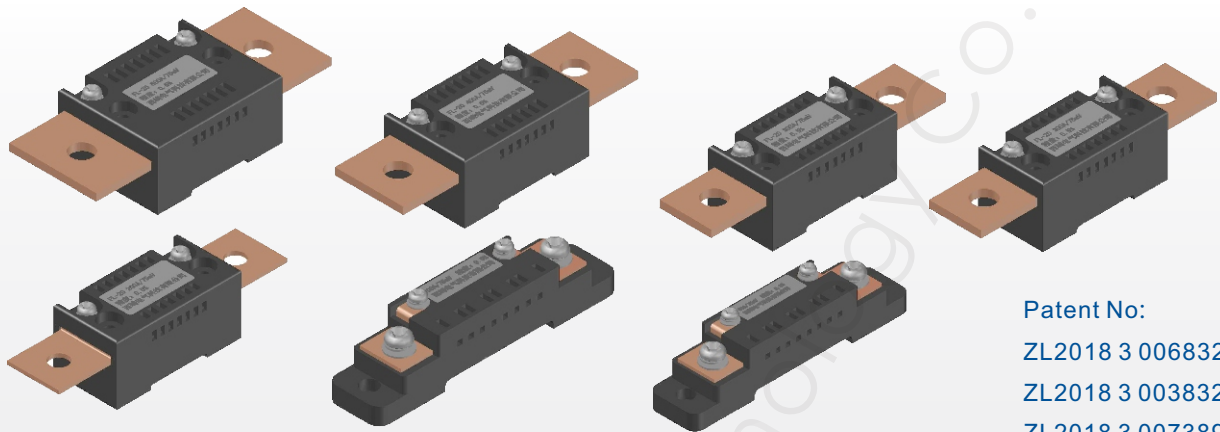


●FL-2C Shunt(Patented Type)

■ FL-2C Shunt(Patented Type)



Patent No:

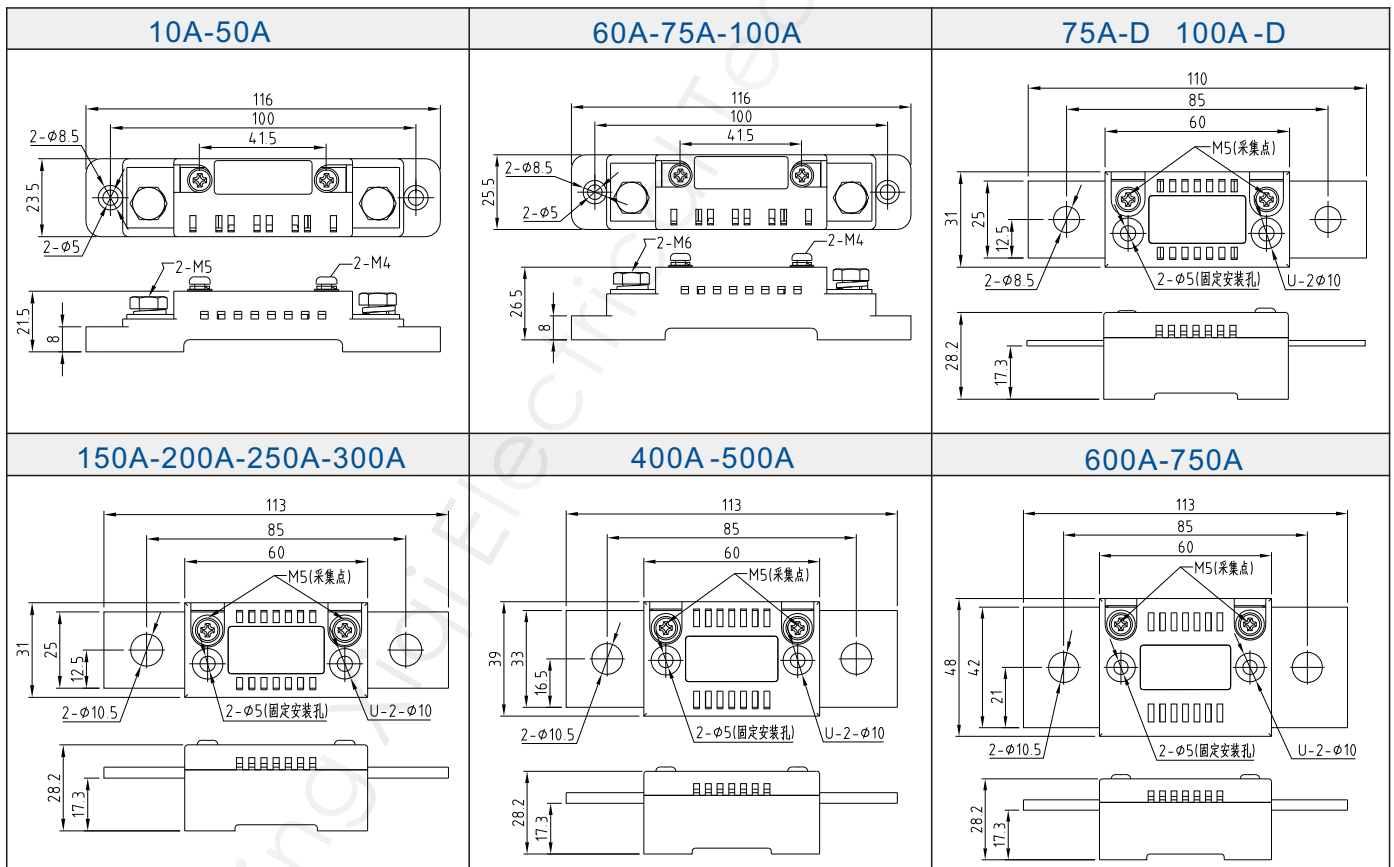
ZL2018 3 0068329.0

ZL2018 3 0038328.6

ZL2018 3 0073892.7

ZL2018 2 0270257.2

■ Dimension Diagram(75mV)



■ Appearance and structure

Structure	Connection block: copper Resistor: 6J13 manganese copper alloy
Surface	Pickling passivation and sandblasting
Case	High temperature flame retardant insulation material

■ Basic parameters

Rated current	10A ~ 750A
Rated voltage	75mV....
Accuracy class	±0.5% (±0.25% customized)

■ Performance Characteristics

Pilot projects	Performance requirements
Accuracy class	±0.5%
Operating Temp	-40°C ~ +60°C
Operating RH	≤95% (35°C)
Voltage	75mV
Temp Rise	Not more than 120
Temp Coef	0 ~ +40PPM/°C
Thermoelectric Potential	Not more than 50% of the level index